

ray⁸⁰⁰

the most advanced **led uv-c air sanitizer**
designed to perfection



ray is based on cutting edge UC-V LED that neutralizes pathogens present in the air we breath such as COVID-19 with >99% efficacy

developed in Switzerland with love and manufactured in Italy with passion



ray



ray is an **AIR Sanitizer** developed using cutting edge materials and solutions specifically conceived and **patented** that make it the most advanced solution to quietly neutralize viruses and bacteria dispersed in the air for safer environments such as

offices – households – shops - medical practices – schools

ray is virtually maintenance free - filterless and boasting **LED UV-C** emitters with a lifespan of over 20000 hours

100% safe



No Ozone No UV No Noise

ray is 100% safe around kids, animals and objects

ray does not generate Ozone, relying only on the **photodimerization** effect in its internal **UV-C reactor** (Pat. Pend.)

the specifically developed **light barrier system** (Pat. Pend.):

- prevents any UV-C light escaping outside the unit enabling ray to be used around you day & night
- allows a whisper quiet functioning that does not disturb working activities, communication, concentration and relax

ray is powered with ultra low voltage rendering it intrinsically safe

environmentally friendly



ray is the most environmentally friendly air sanitizer

the LED UV-C technology, instead of Mercury lamps, implies:

- no hazardous material and no disposal limitations
- extremely long lifespan

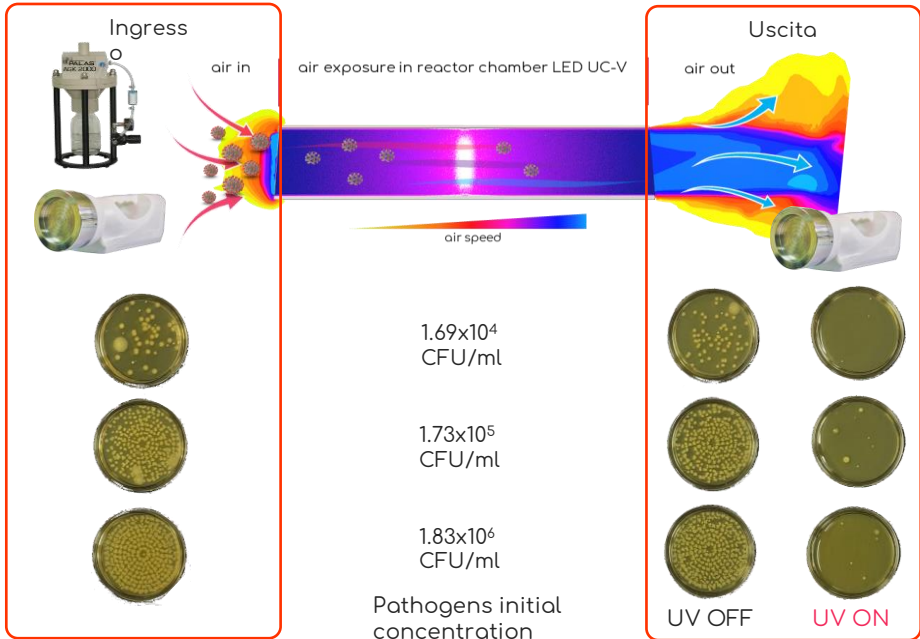
ray uses only the photodimerization effect meaning that there are no filters to be replaced and disposed

ray is made entirely of recyclable materials without special disposal requirements



tested in Laboratory

ray has been subjected to bacterial abatement stress-tests using the pathogen *Escherichia coli ATCC 25922* dispersed, by means of a Collision Nebulizer AGK 2000 by PALAS GmbH (calibration 12743). Air samples were taken with a Surface Air System SAS - PBI International (calibration 215GL21) impacting plates containing Tryptone Soya Agar + 0.05 g/l Cycloheximide



		Test 1	Test 2	Test 3
CFU/m ³	Microbial upstream concentration	8444 ± 30.2	8800 ± 34.5	8777.8 ± 33.6
	Microbial downstream concentration- System OFF	10666 ± 60.5	10755 ± 65.3	10711.1 ± 62.9
	Microbial downstream concentration - System ON	70 ± 1.2	40 ± 0.5	56.5 ± 0.18
% Inactivation Rate		99.34	99.63	99.47
% Inactivation Rate (Average)		99.48		

laboratory results demonstrate how ray, in stress-test conditions with a high amount of bacterial load, is able to neutralize over 99% of the pathogens, on the fly, in a single passage!



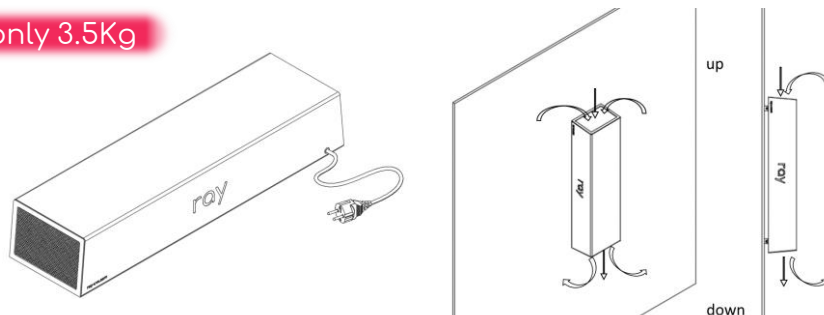
technical specs

dimensions

ray has been designed with a very compact design while maximizing its function:

622mmx171mmx116mm

only 3.5Kg



installation

ray is provided with metal brackets for wall and ceiling mounting. The recessed design makes the mounting invisible not interfering with the aesthetics

input power	24V- 1A
power consumption	20W
operating temperature	+0°C +35°C +32°F +95°F
operating humidity	10% to 90%

info@ray-uvc.com

a product of SineMargo GmbH
8802 Kilchberg, ZH,
Switzerland

