

SineMargo GmbH

CHE-365.018.248

Stockenstrasse 1201

8802 Kilchberg, Switzerland

info@ray-uvc.com

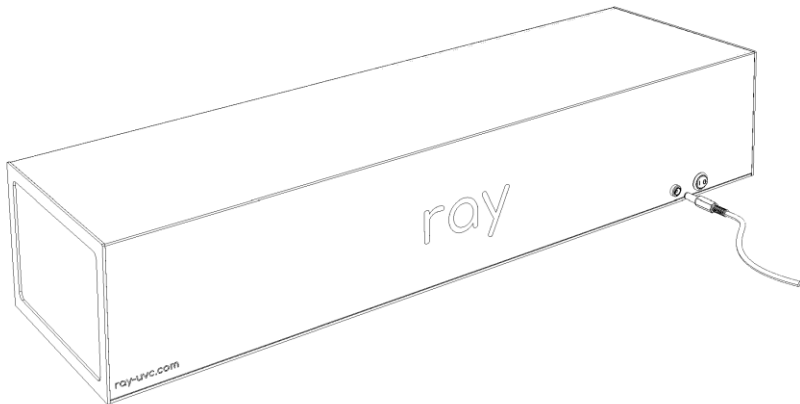


For documentation in other languages

ray

air sanitizer

SM-A-80-CAT0



User guide

CE

Info-it@ray-uvc.it

ray-uvc.com

Rev.2b

ATTENTION

This user guide contains important info concerning usage, safety and installation.

This user guide shall be transferred to any new user. The technical data has to be considered indicative and can be changed any time by the producer without notification.



This air sanitizer uses its own metal body for heat dissipation. A proper working temperature ensures maximum efficiency along its lifetime.

Environmental Temperature
+0 to +30°C



RECCOMENDATIONS:

- *do not cover the product when activated: it might block the airflow rendering its action ineffective*
- *do not expose the device under direct Sun light: it might increase its temperature reducing its lifetime*
- *do not use the device in proximity of heat sources if > 30°C: it might increase its temperature reducing its lifetime*

GENERAL INDICATIONS

1. This device is meant for its intended use: air sanitization for indoor environments. The producer is not responsible for any damage cause by improper use.
2. Once unboxed, keep the device and packaging away from children.
3. The special grilles positioned on both sides of the device -figure 1- are made of a special material: avoid any hit and rub to preserve them

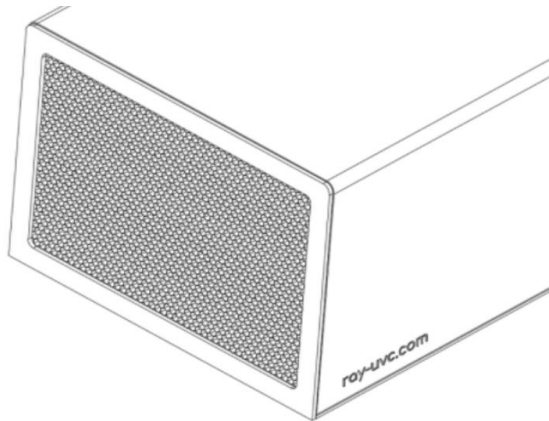


figure 1: Honeycomb grille present on both ends of ray

4. Do not plug or activate the device if wet or on a wet surface: the device uses extremely low voltage and there is no risk for electrocution yet it might get damaged.
5. In case of damages of the power cord, get in touch with the local distributor or producer for assistance.
6. Keep the external power supply and power cords dry and away from heat sources.
7. Do not use the device outdoor.

8. Make sure the device has enough space from both its ends to allow a proper airflow ensuring its efficacy.
9. Do not cover the device when running.
10. Any attempt to open and sabotage the device will nullify any responsibility of the producer and void the warranty.
11. Do not touch the device with wet hands.
12. Do not allow children to use the device without supervision.

OPERATION

Place ray on a stable surface with both ends free to allow air intake and release.

To activate the device, as shown in -figure 2-:

1. plug the round connector to the inlet of the device
2. plug the external power supply to the wall socket
3. switch the rocker switch in position "I"
4. to switch of the device, switch the rocker in position "0".

Using and wall mount timer, not included, it is possible to automatically run the device accordingly to the timer's options: total running time or by schedule.

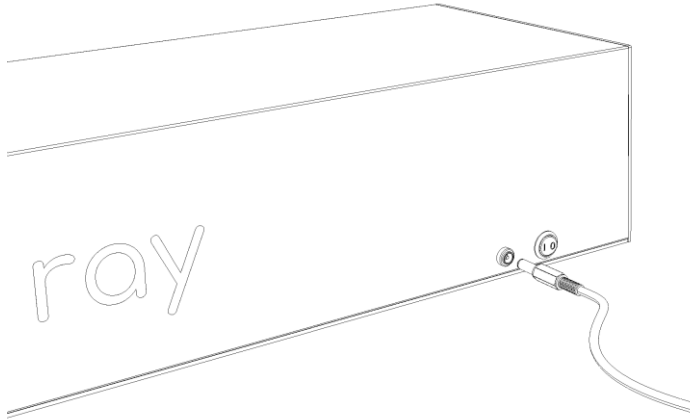


figure 2: Rocker switch and power plug

USE TIPS

It is suggested to keep the device running during the whole duration of the room occupancy.

The device can be activated before, during and after the occupancy of the room.

It is suggested to keep the device running after the room occupancy, accordingly to -table 1-, in order to ensure significative air sanification before the next occupancy.

Room Volume m ³ - ft ³	Room Surface m ² - ft ²	Run-time minutes
40 - 1400	16 - 170	30
80 - 2800	33 - 355	80
120 - 4200	50 - 540	120
160 - 5600	67 - 720	180

table1: Indicative run times after room occupancy

ATTENTION

In order to ensure the best performances of ray, it is suggested to perform a check-up of the device after 2 years or 15'000 hours of functioning. Contact the local distributor or producer.

CLEANING AND MAINTENANCE



Unplug the device before any cleaning operation.

To clean the external surface of the device, use a soft cloth, non-abrasive, either dry or damp with water or glass cleaning products.

Do not use any spray or liquid in proximity of the grilles on both ends or the power switch and power connector.

Do not submerge in liquids.

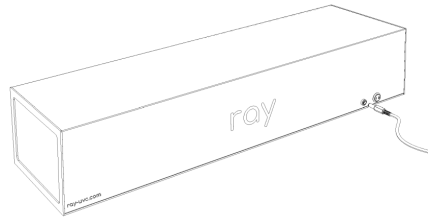
Do not use any corrosive products or solvents.

In case of dust presence on either grille, it is possible to:

- wipe with care and without using pressure with a dust catcher cloth
- blow with compressed air duster paying attention to not damage the grille

BOX CONTENT

1x *ray*



1x *24V Power supplier*



2x *support bracket A*



2x *support bracket B*



8x *screws M4*



table2: Box content

WALL AND CEILING INSTALLATION



Wall and Ceiling installation shall be performed by professionals.

Make sure the wall or ceiling is solid enough to support the mounting of the device.

Ray can be mounted on walls or ceilings using the provided brackets.

The - *support brackets A* - must be fitted on ray using the provided - *screws M4* - as indicated in - *figure 2* - achieving the result in - *figure 3* -.

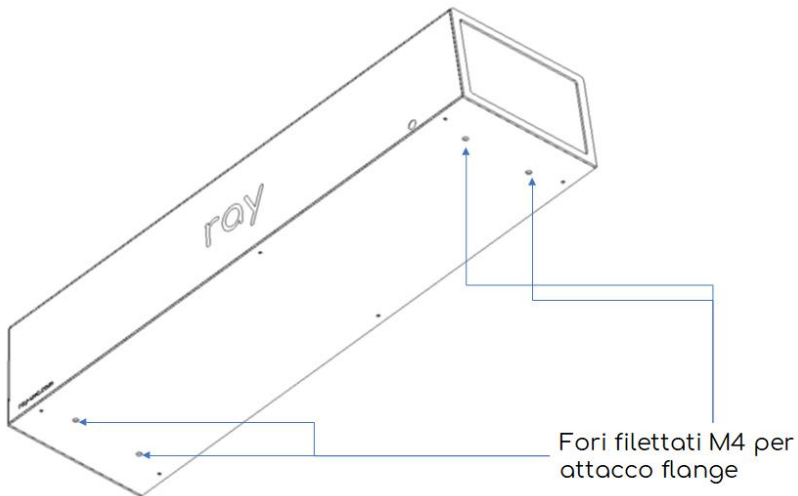


figure 2: threaded holes for - *support brackets A* -

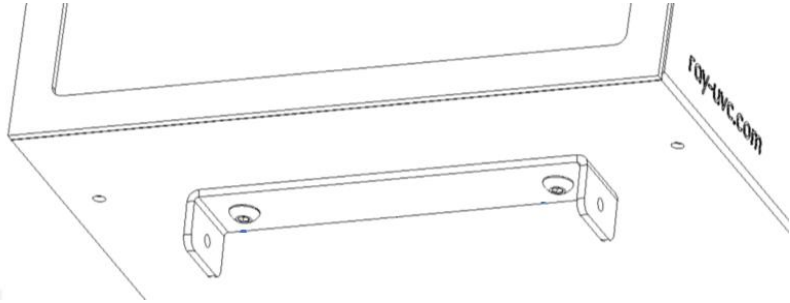


figure 3: -support brackets A- fitted on ray

The -*support brackets B*- must be fitted on the designated wall/ceiling using wall plugs suited for the specific surface. The -*support brackets B*- must be fitted parallel at a distance of 530mm as shown in figure 4.

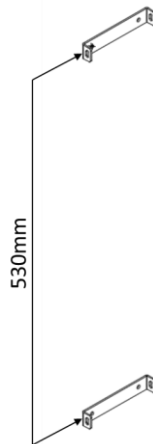


figura 4: -staffe supporto B- tassellate

Proceed with the alignment of -*support brackets A*- with the relative -*support brackets B*- and lock them using the provided -*screws M4*- as shown in figure 5.

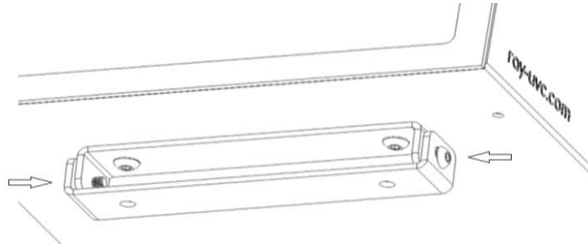


figure 5: -screws M4 locking -support brackets A- and -support brackets B-

In case of wall mounting in a vertical position, it is suggested to place the inlet grille on top and the outlet grille (where the status LED is visible) at the bottom, as in figure 6. This will allow to optimize the efficiency exploiting the natural air movement.

The status LED is placed inside the outlet grille.



Top - Inlet grille

Bottom - Outlet grille

figure 6: vertical wall mount

TECHNICAL DATA

Voltage	24V
Power	23W
Working Temp Range	0°C ↔ +30°C 32°F ↔ 86°F
Volume Air Sanitized	80m ³ /h – 47cfm
Weight	3.5Kg – 7.7lbs

DISPOSAL

The user is responsible for the proper disposal of the device, in accordance with the local legislation.